



# ***BREVIS***

## **3 BLADE HVLS FAN**



### **Project Information**

Job Name \_\_\_\_\_  
Address \_\_\_\_\_  
Distributor \_\_\_\_\_

### **Certified For Construction**

By \_\_\_\_\_  
Company \_\_\_\_\_  
Date \_\_\_\_\_



**Quantity and Fan Diameter** \_\_\_\_\_ 12 ft (3.7 m) \_\_\_\_\_ 16 ft (4.9 m) \_\_\_\_\_ 20 ft (6.0 m)

**Available Options**

- Mounting extension \_\_\_\_\_ FT / M
- Extra wide beam plate \_\_\_\_\_ IN / MM
- Laminated wood beam brackets
- Truss span mounting kit (consult factory)
- Z-Purlin mounting kit (consult factory)

**Notes**

**Voltage**

- 110 V single phase
- 208-240 V single phase
- 208-240 V 3 phase
- 380-480 V 3 phase
- 575 V 3 phase



# BREVIS 3-Blade HVLS FAN

## PRODUCT SPECIFICATIONS

HIGH VOLUME LOW SPEED FAN

Construction	
Frame	Black Powder Coat / Welded Steel Fabrication
Hub Assembly	6061-T6 Aluminum
Blade Struts (Invertible)	Clear Zinc / High Tensile Steel
Blades	Anodized / 6063-T6 Aluminum

Safety Components	
Steel Hub Plate	
Safety Cable	Galvanized 1/4" x 7 x 19 Steel Aircraft Grade Cable
Guy Wires	Galvanized 1/8" x 7 x 19 Steel Aircraft Grade Cable
Rotor Retaining Ring	Zinc Plated / 3/16 A569 Steel

Mounting Hardware	
Standard Mount	Universal I-Beam Clamp w/ Swivel Joint & 7" Drop
Laminated Wood Beam Clamp (Optional)	Brackets
Extra Wide / Thick I-Beam Mount (Optional)	Consult Factory
Additional Drop Extensions (Optional)	Up to 10 FT in 1 FT Increments

Source Voltage	
Standard Power	110V 1Ø or 208-230V 1Ø or 3Ø, 380-480V, 575V 3Ø

Gearbox and Motor	
Enclosure / Insulation Class / Efficiency Class	IP55 / F / IE3
Type	2-Stage Helical
Service Interval	Lubed For Life

VFD Assembly	
Enclosure	NEMA 4X
LENZE Wash Down Druty Inverter	All in One VFD Control
50 Hz Operation (Optional)	60 Hz Operation
Disconnect	Panel Mount, UL/CE
UL Certified / cUL / EAC / C-Tick	-10 to 55C @ 6kHz / 14

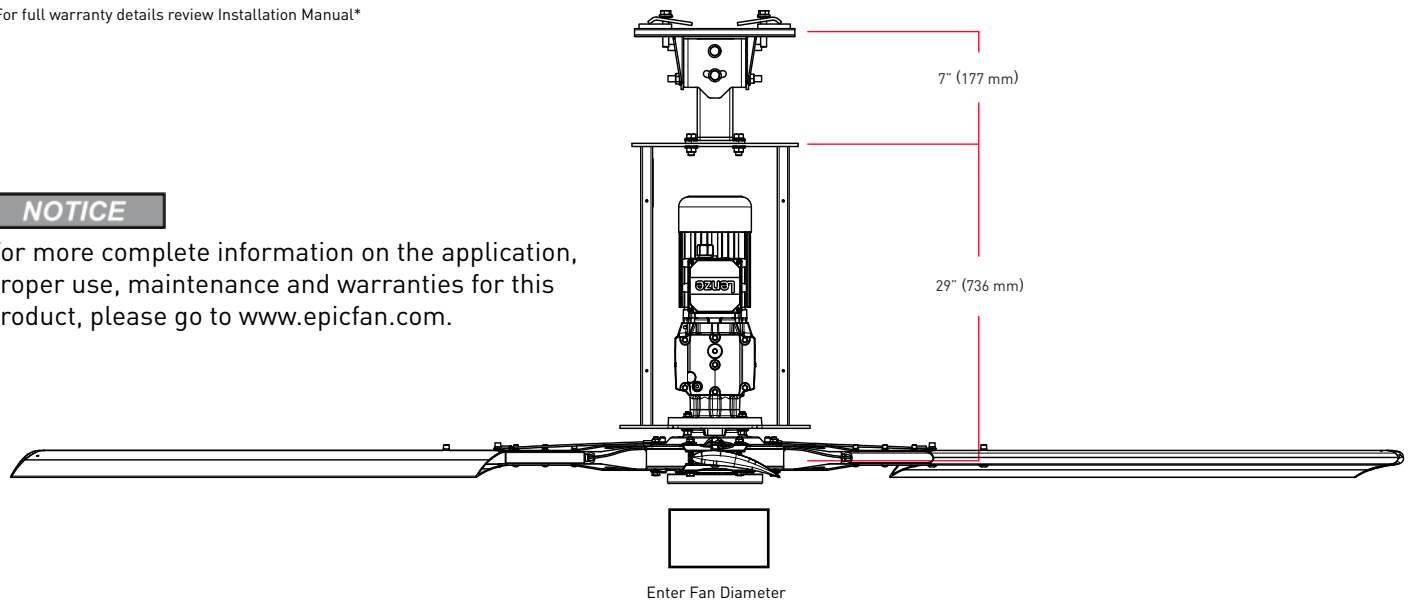
Warranty
Lifetime Warranty on Blades, Hub & Frame
3-Year Limited (Mechanical & Electrical)
1-Year Labor

\*For full warranty details review Installation Manual\*

Fan Size	Hanging Weight	RPM
12 FT 1.0 HP	181 lbs. (86 kg)	125
16 FT 1.0 HP	198 lbs. (94 kg)	92
20 FT 1.0 HP	214 lbs. (105 kg)	72



Control Panel



### NOTICE

For more complete information on the application, proper use, maintenance and warranties for this product, please go to [www.epicfan.com](http://www.epicfan.com).

# BREVIS 3-Blade HVLS FAN

## PRODUCT SPECIFICATIONS

HIGH VOLUME LOW SPEED FAN

Fan Size / Impeller Diameter	Calculated % of Max CFM	CFM *Tested to ANSI/AMCA Standard 230-15 HVLS*	Fan RPM	Input Power	Voltage / Phase / Frequency	Input Power W	Direction of Operation (Forward / Reverse)	Stand By Power	Integrated Efficiency (CFM / Watt) Overall Rating = 149.12
12'	100%	56,081	120	480 V / 3 PHASE	480 / 3 / 60	452	FORWARD	6.52 W	124.07
12'	80%	44,632	96	480 V / 3 PHASE	480 / 3 / 60	298	FORWARD	6.52 W	149.78
12'	60%	33,759	72	480 V / 3 PHASE	480 / 3 / 60	197	FORWARD	6.52 W	171.72
12'	40%	22,367	48	480 V / 3 PHASE	480 / 3 / 60	111	FORWARD	6.52 W	202.2
12'	20%	11,373	25	480 V / 3 PHASE	480 / 3 / 60	64	FORWARD	6.52 W	176.9

Fan Size / Impeller Diameter	Calculated % of Max CFM	CFM *Tested to ANSI/AMCA Standard 230-15 HVLS*	Fan RPM	Input Power	Voltage / Phase / Frequency	Input Power W	Direction of Operation (Forward / Reverse)	Stand By Power	Integrated Efficiency (CFM / Watt) Overall Rating = 191.82
16'	100%	132,919	102	480 V / 3 PHASE	480 / 3 / 60	770	FORWARD	6.5 W	143.28
16'	80%	106,297	82	480 V / 3 PHASE	480 / 3 / 60	479	FORWARD	6.5 W	185.68
16'	60%	79,701	62	480 V / 3 PHASE	480 / 3 / 60	257	FORWARD	6.5 W	257.18
16'	40%	52,190	41	480 V / 3 PHASE	480 / 3 / 60	130	FORWARD	6.5 W	333.9
16'	20%	24,779	21	480 V / 3 PHASE	480 / 3 / 60	69	FORWARD	6.5 W	283.29



4Fronts Engineered Solutions certifies that the 3-Blade model 12'-16' shown herein is licensed to bear the AMCA seal. The ratings shown are based on the tests and procedures performed in accordance with AMCA Publication 211 and comply with the requirements of the AMCA Certified Ratings Program

AMCA Certified ratings seal applies at free delivery only. Performance ratings do not include the effects of appurtenances (accessories).



4Front Engineered Solutions reserves the right to change specifications and designs without notice and without incurring obligations. 4Front Engineered Solutions products may be the subject of one or more U.S. and/or foreign, issued and/or pending, design and/or utility patents. Epic and Epic Fans as words and logos are registered trademarks belonging to ASSA ABLOY Entrance Systems AB or other companies controlled by the same organization.

1612 Hutton Drive, Suite 140 • Carrollton, TX 75006, USA • Tel: 866-696-2464 • Fax: 972-389-4224 • HVLSFans@epic.com • www.epicfan.com

©ASSA ABLOY. Part of ASSA ABLOY. All rights reserved. Printed in USA.



E506041

EPS-SDHVS-1220