

SUMMIT HVLS FAN

PRODUCT SPECIFICATIONS

HIGH VOLUME LOW SPEED FAN



Design Highlights

- DC Motor / Brushless / No Gearbox / IP 65 Rating
- Performance in high ambient conditions 0-122°F / -17.78-50°C
- Large “Air Current Depth” - horizontal floor jet of 3-9 ft (1-3 m)
- Standard clear corrosion-resistant anodized blades
- Fan safety system incorporates steel hub, aircraft-grade safety cable and guy wires
- Patent pending aluminum hub and blade support system
- Remote mounted high efficiency Variable Frequency Drive
- Acoustic sound level 45 dBA*
- Touch screen remote with forward/off/reverse features, self diagnostics and 4 digit pass code protection
- Aerodynamic blade winglets with patent-pending design
- Optimized 5-Blade profile for low speed rotary airfoils
- Patented facility fire system compatibility (can be daisy chained)
- ULC 507 approved (Entire Fan)

*Results of sound measurement in the field may vary due to variations in surface types, environment and conditions.

Motor Size

- 85 Nm 1 HP/ 8 FT (2.4 M) - 14 FT (4.9 M)
- 188 Nm 2 HP/ 16 FT (5.5 M) - 24 FT (7.3 M)

Fan Diameter

- 8 FT (2.4 M)
- 10 FT (3.0 M)
- 12 FT (3.7 M)
- 14 FT (4.3 M)
- 16 FT (4.9 M)
- 18 FT (5.5 M)
- 20 FT (6.1 M)
- 24 FT (7.3 M)

Available Options

- Mounting Extension _____ FT / M
- Extra Wide Beam Plate _____ FT / M
- Powder Coated Blades _____
- Custom Powder Coated Frame & Mount
- Fire Control Panel (Standard & Networked Fans)
- Multiple Fan Remote (2-6)
- BAS Integration
- iFan 4.3 (12 Fans Maximum)
- iFan 7.0 (24 Fans Maximum)

Project Information

Job Name _____
 Address _____
 General Contractor _____
 Distributor _____
 Model _____ Quantity _____ Voltage/Phase _____

Certified For Construction

By _____
 Company _____
 Address _____
 Date _____

SUMMIT HVLS FAN

PRODUCT SPECIFICATIONS

HIGH VOLUME LOW SPEED FAN

Construction	
Frame	Black Powder Coat / Welded Steel Fabrication
Hub Assembly	6061-T6 Aluminum
Blade Struts (Invertible)	Clear Zinc / High Tensile Steel
Blades	Anodized / 6063-T6 Aluminum
Blade End Winglets	Aluminum 3003-H14
Safety Components	
Steel Hub Plate	
Safety Cable	Galvanized 1/4" x 7 x 19 Steel Aircraft Grade Cable
Guy Wires	Galvanized 1/8" x 7 x 19 Steel Aircraft Grade Cable
Rotor Retaining Ring	Zinc Plated / 3/16 A569 Steel
Mounting Hardware	
Standard Mount	Universal I-Beam Clamp w/ Swivel Joint & Drop
Laminated Wood Beam Clamp (Optional)	Brackets
Extra Wide / Thick I-Beam Mount (Optional)	Consult Factory
Additional Drop Extensions (Optional)	Up to 10 FT in 1 FT Increments
Source Voltage	
Standard Power	120V 1Ø* or 208-230V 1Ø or 3Ø or 460-480V 3Ø or 575V 3Ø**
Motor	
Enclosure / Insulation Class / Efficiency Class	IP65
Motor	DC Brushless
Torque & Temperature Range	85 Nm / 188 Nm / 0 -122°F / -17.78 -50°C
VFD Assembly	
Enclosure	NEMA 1
Remote CAT 5E Cable	1 - 100 Feet / 30.48 Meters
Communication Protocol	Modbus RTU
Disconnect	Panel Mount, UL/CE
UL Certified	*50hz Operation (Optional)*
Fan Control Station	
Type	Touchscreen LCD
Connection	CAT 5E (provided)
Mounting	STD Wall J-Box
Warranty	
Lifetime Warranty on Blades, Hub & Frame	15-Year Mechanical
15-Year Non Pro Rated	7-Year Electrical
1-Year Labor	1-Year on all Controls

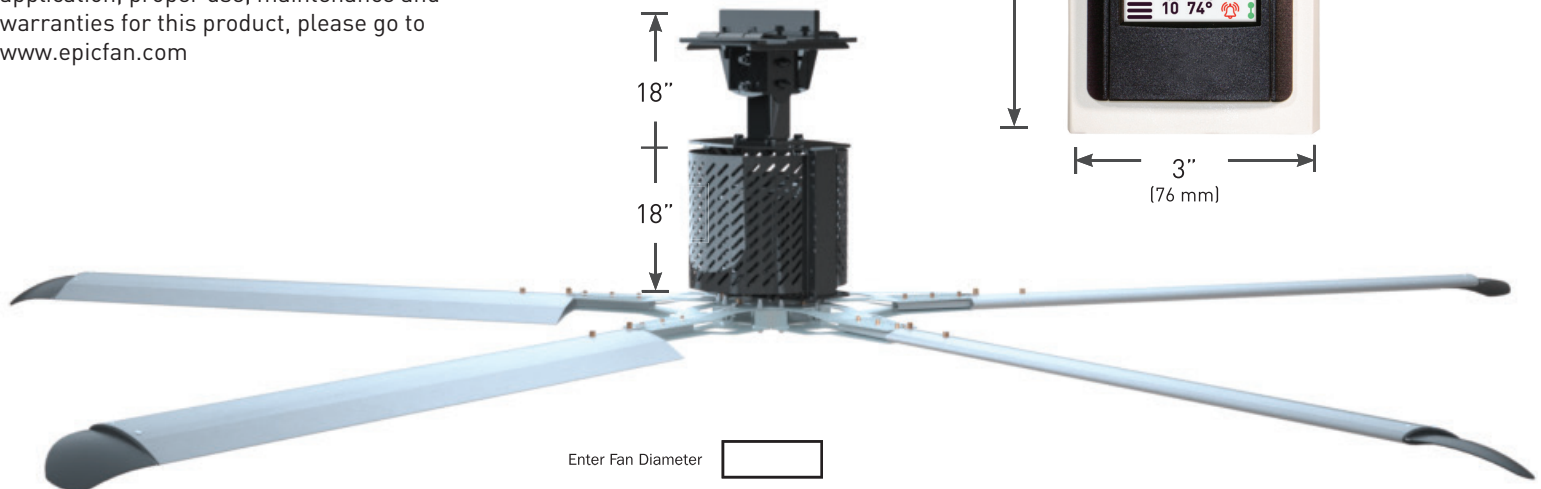
* up to 14 ft diameter only
 ** requires additional transformer enclosure

Fan Size	Hanging Weight	Normal Industrial Spacing	RPM
8 FT 85NM 1 HP	166 lbs. (75 kg)	55 feet	198
10 FT 85NM 1 HP	174 lbs. (79 kg)	60 feet	154
12 FT 85NM 1 HP	183 lbs. (83 kg)	65 feet	125
14 FT 85NM 1 HP	191 lbs. (86 kg)	70 feet	106
16 FT 188NM 2 HP	216 lbs. (97 kg)	90 feet	92
18 FT 188NM 2 HP	224 lbs. (101 kg)	95 feet	81
20 FT 188NM 2 HP	232 lbs. (105 kg)	100 feet	72
24 FT 188NM 2 HP	249 lbs. (112 kg)	110 feet	55



NOTICE

For more complete information on the application, proper use, maintenance and warranties for this product, please go to www.epicfan.com



4Front Engineered Solutions reserves the right to change specifications and designs without notice and without incurring obligations. 4Front Engineered Solutions products may be the subject of one or more U.S. and/or foreign, issued and/or pending, design and/or utility patents. Epic and Epic Fans as words and logos are registered trademarks belonging to ASSA ABLOY Entrance Systems AB or other companies controlled by the same organization. All rights reserved.
 1612 Hutton Drive, Suite 140 • Carrollton, TX 75006, USA • Tel: 866-696-2464 • Fax: 972-389-4224 • HVLSFans@epic.com • www.epicfan.com



EPS-SDHVS-1220