

# APEX COMMERCIAL HVLS FAN

## PRODUCT SPECIFICATIONS

HIGH VOLUME LOW SPEED FAN



### Design Highlights

- Optimized 5-Blade profile for low speed rotary airfoil application and near ground effect
- Wired touch screen standard
- Reverse capability
- Capability to shut down with the fire system
- Suitable for ceilings as low as 12 feet (3.7m)
- Less than 35 dBA\*
- UL 507 certification
- Easy customization of fan to fit customers applications (powder coating options)
- Light weight
- Energy efficient
- Patent-pending design includes unique winglet and innovative snap on blade attachment

\* Results of sound measurement in the field may vary due to variations in surface types, environment and conditions.



### Fan Diameter

- 6 FT (1.8 M)
- 8 FT (2.4 M)
- 10 FT (3.0 M)
- 12 FT (3.7 M)
- 14 FT (4.3 M)

### Standard Configurable Colors

- Stardust Silver \_\_\_\_\_ RAL 9006
- Gloss Black \_\_\_\_\_ RAL 9017
- Reflective White \_\_\_\_\_ RAL 9003
- Red Baron \_\_\_\_\_ RAL 3002
- Cobalt Blue \_\_\_\_\_ RAL 5013
- Safety Green \_\_\_\_\_ RAL 6016
- Safety Orange \_\_\_\_\_ RAL 2004
- Custom Color(s) \_\_\_\_\_

Available colors are approximate match to global RAL color chart. Available colors can be mixed and matched. For additional information Consult Factory.  
If not selected, default color shipped is all silver with black winglets (as shown above).

### Available Options

- Mounting Down Tube \_\_\_\_\_ ft.  
Standard down tube 18 in.
- Networked Multi-Fan Controller (2-6 Fans)
- iFan 4.3
- iFan 7.0
- BMS Integration

### Project Information

Job Name \_\_\_\_\_  
 Address \_\_\_\_\_  
 General Contractor \_\_\_\_\_  
 Distributor \_\_\_\_\_  
 Model \_\_\_\_\_ Quantity \_\_\_\_\_

### Certified For Construction

By \_\_\_\_\_  
 Company \_\_\_\_\_  
 Address \_\_\_\_\_  
 Date \_\_\_\_\_

# APEX COMMERCIAL HVLS FAN

## PRODUCT SPECIFICATIONS

HIGH VOLUME LOW SPEED FAN

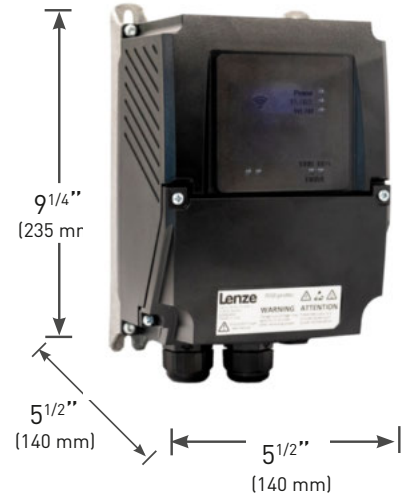
<b>CONSTRUCTION</b>	General Components	
	Hub Assembly	50,000 lbs. Yield High Tensile Steel
	Motor Housing	.050 3003 Aluminum, Powder coated
	Blades	6063-T6 Aluminum, Powder coated
	Blade End Winglets	6061-T6 Aluminum, Powder coated
	Safety Components	
	Blade Attachment Retainers	50,000 lbs Yield High Tensile Steel
	Mounting Hardware	
	Standard Mount	Versatile 45° Mounting Bracket
	Additional Drop Extensions (Optional)	Up to 15 FT - 1 FT increments

<b>OPERATION</b>	Source Voltage	
	Standard Power	120V - 230V 1Ø, 230V 3Ø
	Motor	
	Gearless Direct Drive Motor (AC)	
	Controls Module	
	Remote	
	Enclosure IP 66 / 0 F - 122 F	
	UL Certified	
	Fan Controller	
	Standard Touch Screen	
	Warranty	
	10-Year Parts, 1 Year Labor	
	10-Year Mechanical	
	5-Year Electrical	
	1-Year Control	

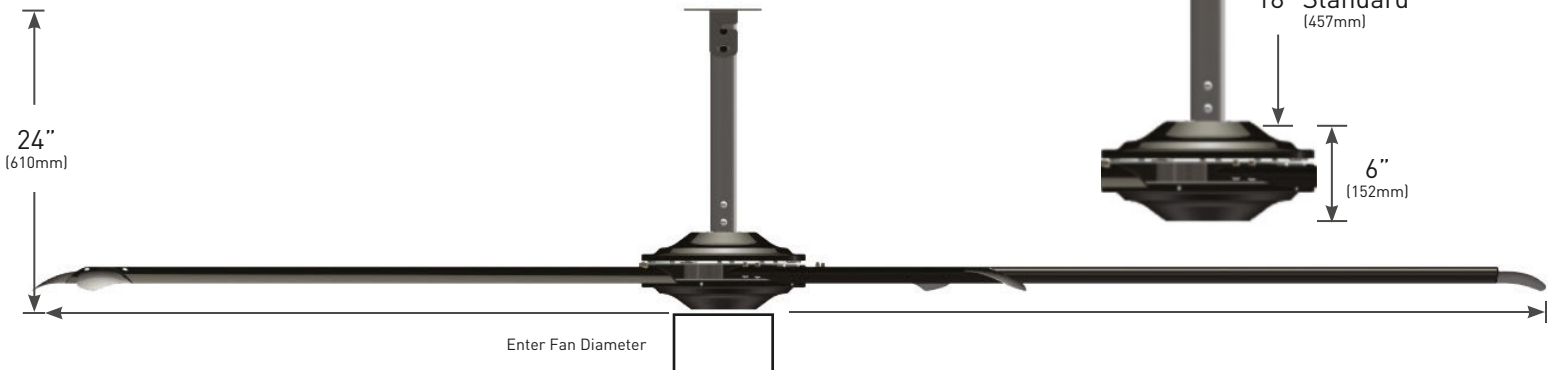
Fan Size	Motor	Hang Weight	RPM
6 FT	1/3 HP	50 lbs [22.7 kg]	200
8 FT	1/3 HP	54.5 lbs [24.7 kg]	165
10 FT	1/3 HP	59 lbs [26.8 kg]	110
12 FT	1/3 HP	63 lbs [28.6 kg]	80
14 FT	1/3 HP	65 lbs [29.5 kg]	60

### NOTICE

For more complete information on the application, proper use, maintenance and warranties for this product, please go to [www.epicfans.com](http://www.epicfans.com).



NACA optimized blade profile provides high lift, low drag coefficients at low velocities equating to a highly efficient profile for low speed rotary airfoils.



4Front Engineered Solutions reserves the right to change specifications and designs without notice and without incurring obligations. 4Front Engineered Solutions products may be the subject of one or more U.S. and/or foreign, issued and/or pending, design and/or utility patents. Epic and Epic Fans as words and logos are registered trademarks belonging to ASSA ABLOY Entrance Systems AB or other companies controlled by the same organization. All rights reserved.

1612 Hutton Drive, Suite 140 • Carrollton, TX 75006, USA • Tel: 866-696-2464 • Fax: 972-389-4224 • HVLSFans@epic.com • www.epicfan.com

©ASSA ABLOY. Part of ASSA ABLOY. All rights reserved. Printed in USA.

