

BREVIS
3-Blade HVLS Fan



APEX
Commercial HVLS Fan



SUMMIT
Direct Drive HVLS Fan



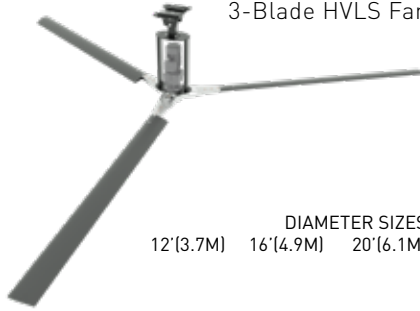
COLOSSUS
Industrial HVLS Fan

EPIC Fan encompasses an innovative design with enormous size, performance and savings. Poor air circulation can cause stagnant air, hot and cold spots, and unwanted condensation. Our HVLS fans works hard to ensure your facility reaches its full productivity potential. Looking sleek and attractive while paired with effective function and features, all fan CFM numbers are AMCA certified.



BREVIS

3-Blade HVLS Fan



DIAMETER SIZES
12'(3.7M) 16'(4.9M) 20'(6.1M)

KEY FEATURES

- Optimized 3-blade profile for low speed rotary airfoil application and near ground effect
- NACA airfoil profile reduces drag while producing more airflow
- Clear anodized blades
- Fan safety system incorporates steel hub, aircraft-grade safety cable and guy wires
- NEMA 4X variable frequency drive
- Disconnect included
- Forward/reverse, start and stop from the VFD display

STANDARD CONTROL



SUMMIT

Direct Drive HVLS Fan



DIAMETER SIZES
8'(2.4M) 10'(3.0M) 12'(3.7M) 14'(4.3M) 16'(4.9M)
18'(5.5M) 20'(6.1M) 24'(7.3M)

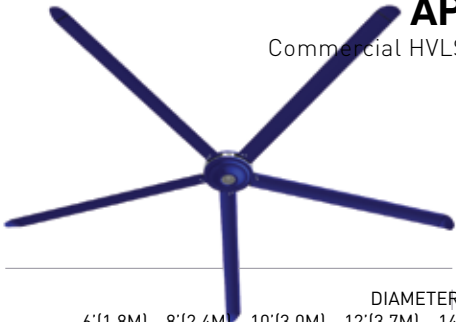
- Extruded aluminum clear anodized blades
- 8-24 feet (2.4-7.3 M) in diameter
- Wired touch screen remote
- Trouble shooting from ground level
- DC Brushless Direct Drive motor
- Fire shut down capability
- 45 dBA*



CONTROL OPTIONS: iFan 4.3, Fan 7.0, iFan 10.0

APEX

Commercial HVLS Fan



DIAMETER SIZES
6'(1.8M) 8'(2.4M) 10'(3.0M) 12'(3.7M) 14'(4.3M)

- Wired Touch Screen Remote
- Reverse Capability
- 6-14 feet (1.8-4.3 M) in diameter
- Fire Shut Down Integration
- Gearless Direct Drive Motor
- Less Than 35 dBA*



CONTROL OPTIONS: iFan 4.3, Fan 7.0, iFan 10.0

COLOSSUS

Industrial HVLS Fan



DIAMETER SIZES
8'(2.4M) 10'(3.0M) 12'(3.7M) 14'(4.3M) 16'(4.9M)
18'(5.5M) 20'(6.1M) 24'(7.3M)

- Extruded aluminum black anodized blades
- 8-24 feet (2.4-7.3 M) in diameter
- Wired touch screen remote
- Trouble shooting from ground level
- Fire shut down capability
- 55 dBA*



CONTROL OPTIONS: iFan 4.3, Fan 7.0, iFan 10.0

*Results of sound measurement in the field may vary due to variations in surface types, environment and conditions.



1612 Hutton Dr.
Suite 140,
Dallas, TX 75006
866.696.2464
www.epicfan.com



4Front Engineered Solutions reserves the right to change specifications and designs without notice and without incurring obligations.

Epic and Epic Fans as words and logos are registered trademarks belonging to ASSA ABLLOY Entrance System AB or other companies controlled by the same organization. All rights reserved.

4Front Engineered Solutions products may be the subject of one or more U.S. and/or foreign, issued and/or pending, design and/or utility patents.

©ASSA ABLLOY Entrance Systems AB
All rights reserved. Part of ASSA ABLLOY
Printed in USA. Form #ECB-HVLS-0221