



Project Information

Job Name _____
Address _____
Contractor _____
Distributor _____
Model _____ Quantity _____ Voltage/Phase _____

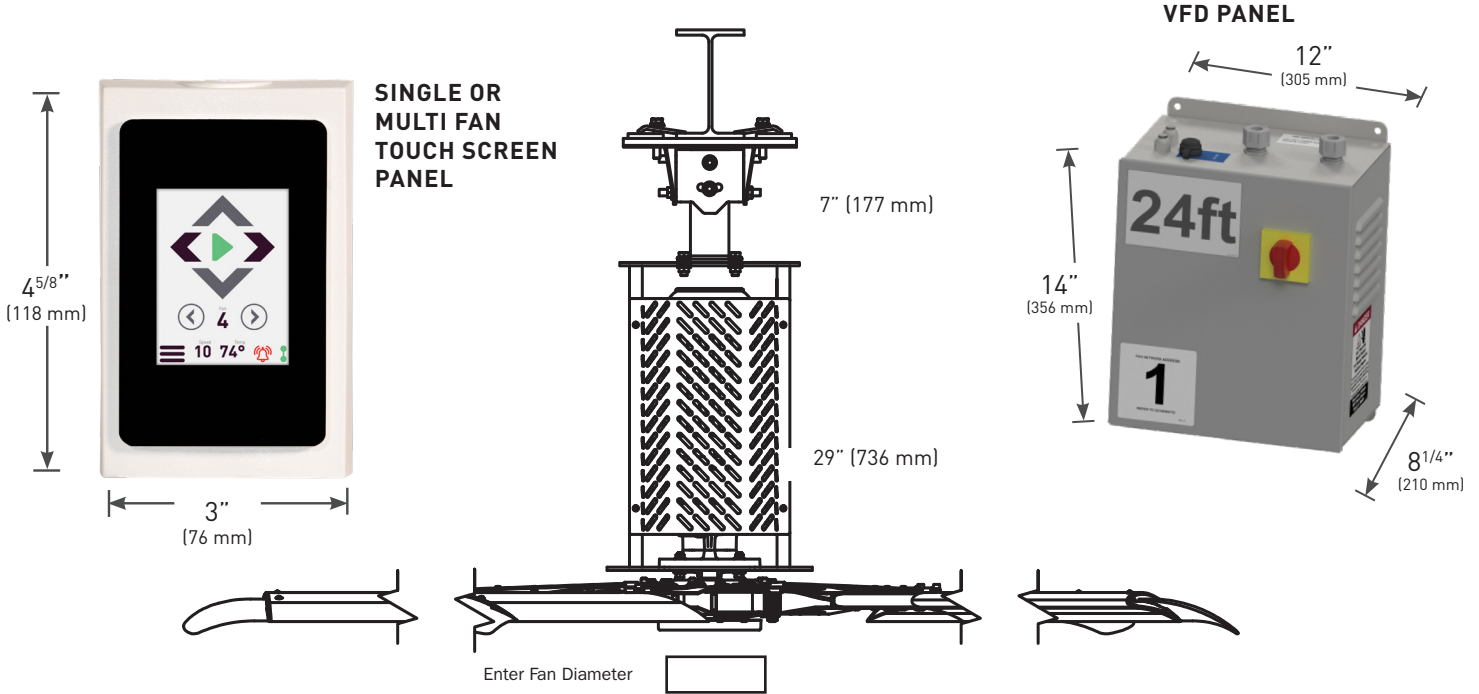
Construction or Engineering Approval

By _____
Company _____
Address _____
Date _____



COLOSSUS INDUSTRIAL HVLS FAN

PRODUCT SPECIFICATIONS



ELECTRICAL SIZING CHART

FAN SIZE	8 FT - 20 FT			24 FT		
	200V-240V, 1PH, 50/60 HZ	200V-240V, 3PH, 50/60 HZ	360V-480V, 3PH, 50/60 HZ	200V-240V, 1PH, 50/60 HZ	200V-240V, 3PH, 50/60 HZ	360V-480V, 3PH, 50/60 HZ
Input Voltage	200V-240V, 1PH, 50/60 HZ	200V-240V, 3PH, 50/60 HZ	360V-480V, 3PH, 50/60 HZ	200V-240V, 1PH, 50/60 HZ	200V-240V, 3PH, 50/60 HZ	360V-480V, 3PH, 50/60 HZ
System FLA	5A @ 230V, 1PH, 60HZ	2.5A @ 230V, 3PH, 60HZ	2.5A @ 460V, 3PH, 60HZ	6.79A @ 230V, 1PH, 60HZ	6.79A @ 230V, 3PH, 60HZ	3.4A @ 460V, 3PH, 60HZ
Fuse	KTKR25	KTKR15	KTKR10	KTKR25	KTKR15	KTKR10
Motor HP	1.5 HP, 1.12 KW	1.5 HP, 1.12 KW	1.5 HP, 1.12 KW	2.0 HP, 1.49 KW	2.0 HP, 1.49 KW	2.0 HP, 1.49 KW
Motor Voltage	230V, 60 HZ	230V, 60 HZ	460V, 60 HZ	230V, 60 HZ	230V, 60 HZ	460V, 60 HZ
Motor FLA	4.0A	4.0A	2.0A	5.43A	5.43A	2.72A
MCA*	21.75A	13.13A	7.38A	21.75A	13.13A	7.38A

*MCA is the Minimum Circuit Ampacity. In accordance with NEC 430.122(A), MCA is calculated as 125% of the rated input current of the VFD.

CONSTRUCTION

GENERAL COMPONENTS	
Frame	Black Powder Coat / Welded Steel Fabrication
Hub Assembly	6061-T6 Aluminum
Blade Struts (Invertible)	Clear Zinc / High Tensile Steel
Blades	Anodized / 6063-T6 Aluminum
Blade End Winglets	Aluminum 3003-H14

MOUNTING HARDWARE	
Standard Mount	Universal I-Beam Clamp w/ Swivel Joint & 7" Drop
Laminated Wood Beam Clamp (Optional)	Brackets
Extra Wide / Thick I-Beam Mount (Optional)	Consult Factory
Additional Drop Extensions (Optional)	Up to 10 FT in 1 FT Increments

SAFETY COMPONENTS	
Steel Hub Plate	
Safety Cable	Galvanized 1/4" x 7 x 19 Steel Aircraft Grade Cable
Guy Wires	Galvanized 1/8" x 7 x 19 Steel Aircraft Grade Cable
Rotor Retaining Ring	Zinc Plated / 3/16 A569 Steel

Control Options

- Wired Touch Screen
- Wired Touch Screen with Temperature Control
- Multi Fan Remote (2-6) Fans
- Slave Remote
- NEMA 4X Remote Enclosure
- NEMA 4X VFD Enclosure
- iFan 4.3 (12 Fans Max/3 Groups Max) *120V Power Required
 - Humidity/Temperature Sensor
 - BACnet TCP/IP
- iFan 7.0 (24 Fans Max/4 Groups Max) *120V Power Required
 - BACnet TCP/IP
 - Humidity/Temperature Sensor
 - BACnet MSTP
 - Web Server *Can decrease the amount of fans on the system*
- iFan 10.0 (30 Fans Max/4 Groups Max) *120V Power Required
 - BACnet TCP/IP
 - Humidity/Temperature Sensor
 - BACnet MSTP
 - Web Server *Can decrease the amount of fans on the system*
- BMS Interface Card
 - Modbus TCP/IP
 - BACnet TCP/IP
 - BACnet MSTP
 - Slave Remote

Voltage

- 208V Single Phase
- 240V Single Phase
- 208 - 240V 3 Phase
- 460 - 480V 3 Phase
- 575V 3 Phase

Fire Panel

- Standard
- Networked

Mechanical Options

- Mounting Extensions _____ FT / M
- Extra Wide Beam Plate _____ inch wide beam
- Powder Coated Blades _____ RAL Color
- Powder Coated Frame & Mount _____ RAL Color
- Powder Coated Winglets _____ RAL Color
- Corrosion Resistant Package ****consult factory**
- Black Anodized Blades Silver Anodized Blades
- Black Motor Covers Silver Motor Covers
- Laminated Wood Beam Brackets
- Truss Span Mounting Kit (consult factory)
- Z-Purlin Mounting Kit (consult factory)

Model Number	Fan Size	Hanging Weight	Normal Industrial Spacing	RPM
EF08-155	8 FT 1.5 HP	164 lbs. (73 kg)	55 feet	198
EF10-155	10 FT 1.5 HP	173 lbs. (82 kg)	60 feet	154
EF12-155	12 FT 1.5 HP	181 lbs. (86 kg)	65 feet	125
EF14-155	14 FT 1.5 HP	189 lbs. (86 kg)	70 feet	106
EF16-155	16 FT 1.5 HP	198 lbs. (94 kg)	90 feet	92
EF18-155	18 FT 1.5 HP	206 lbs. (101 kg)	95 feet	81
EF20-155	20 FT 1.5 HP	214 lbs. (105 kg)	100 feet	72
EF24-205	24 FT 2.0 HP	231 lbs. (107 kg)	110 feet	60

Standard Blade Colors



Industrial HVLS Fan Warranty: Please See Full Warranty Outline Located in the HVLS Users Manual

Mechanical	Electrical	Labor	Standard Remote	iFan Controls	BMS Interface Card	Accessory Sensors
15 Years	7 Years	1 Year	1 Year	1 Year	1 Year	1 Year



Fan Diameter (ft)	Calculated % of Max CFM	Calculated % of Max RPM	Fan RPM	CFM *Tested to ANSI/AMCA Standard 230-15 HVLS*	Voltage / Phase / Frequency	Large Diameter Ceiling Fan - Ceiling Fan Energy Index (CFEI)	Standby Power [Watts]	Electrical Input Power [Watts] at Standard Air Density	Direction	Reversible?
8	23%	26%	51	9,283	208 V / Single Phase		6	45	Forward	Yes
	43%	44%	87	17,084	208 V / Single Phase	1.81	6	110	Forward	Yes
	62%	63%	125	24,614	208 V / Single Phase		6	237	Forward	Yes
	81%	81%	162	32,233	208 V / Single Phase		6	456	Forward	Yes
	100%	100%	199	39,570	208 V / Single Phase	1.26	6	778	Forward	Yes
10	25%	28%	42	14,202	208 V / Single Phase		6	57	Forward	Yes
	43%	46%	68	24,750	208 V / Single Phase	1.62	6	133	Forward	Yes
	63%	64%	95	35,736	208 V / Single Phase		6	283	Forward	Yes
	81%	82%	122	46,522	208 V / Single Phase		6	527	Forward	Yes
	100%	100%	149	57,124	208 V / Single Phase	1.2	6	890	Forward	Yes
12	22%	25%	31	17,779	208 V / Single Phase		6	44	Forward	Yes
	42%	44%	55	33,749	208 V / Single Phase	1.89	6	124	Forward	Yes
	62%	63%	78	50,068	208 V / Single Phase		6	295	Forward	Yes
	82%	81%	101	65,641	208 V / Single Phase		6	584	Forward	Yes
	100%	100%	124	80,156	208 V / Single Phase	1.28	6	1002	Forward	Yes
14	23%	27%	28	23,773	208 V / Single Phase		6	51	Forward	Yes
	43%	45%	46	43,842	208 V / Single Phase	1.71	6	145	Forward	Yes
	62%	63%	65	63,794	208 V / Single Phase		6	335	Forward	Yes
	81%	82%	84	83,480	208 V / Single Phase		6	653	Forward	Yes
	100%	100%	103	102,927	208 V / Single Phase	1.22	6	1142	Forward	Yes
16	18%	25%	23	23,479	208 V / Single Phase		6	52	Forward	Yes
	40%	43%	40	50,905	208 V / Single Phase	1.64	6	148	Forward	Yes
	61%	62%	57	77,582	208 V / Single Phase		6	346	Forward	Yes
	80%	80%	74	102,461	208 V / Single Phase		6	687	Forward	Yes
	100%	100%	92	127,604	208 V / Single Phase	1.23	6	1214	Forward	Yes
18	23%	27%	21	34,416	208 V / Single Phase		6	59	Forward	Yes
	42%	44%	34	63,414	208 V / Single Phase	1.58	6	170	Forward	Yes
	61%	62%	48	93,275	208 V / Single Phase		6	395	Forward	Yes
	81%	81%	63	123,351	208 V / Single Phase		6	771	Forward	Yes
	100%	100%	78	151,781	208 V / Single Phase	1.15	6	1342	Forward	Yes
20	23%	25%	18	41,327	208 V / Single Phase		6	52	Forward	Yes
	41%	43%	31	73,461	208 V / Single Phase	1.76	6	156	Forward	Yes
	61%	61%	44	108,969	208 V / Single Phase		6	386	Forward	Yes
	80%	81%	58	143,336	208 V / Single Phase		6	786	Forward	Yes
	100%	100%	72	179,224	208 V / Single Phase	1.14	6	1634	Forward	Yes
24	21%	25%	15	50,474	208 V / Single Phase		6	60	Forward	Yes
	38%	44%	26	93,186	208 V / Single Phase	1.53	6	180	Forward	Yes
	59%	64%	38	145,476	208 V / Single Phase		6	459	Forward	Yes
	80%	81%	48	196,274	208 V / Single Phase		6	932	Forward	Yes
	100%	100%	59	245,291	208 V / Single Phase	1.14	6	1720	Forward	Yes



4Front Engineered Solutions certifies that the Industrial model 8'-24' shown herein is licensed to bear the AMCA seal. The ratings shown are based on the tests and procedures performed in accordance with AMCA publication 211 and comply with the requirements of the AMCA Certified Ratings Program.

AMCA Certified ratings seal applies at free delivery only. Performance ratings do not include the effects of appurtenances (accessories).



4Front Engineered Solutions reserves the right to change specifications and designs without notice and without incurring obligations. 4Front Engineered Solutions products may be the subject of one or more U.S. and/or foreign, issued and/or pending, design and/or utility patents. Epic and Epic Fans as words and logos are registered trademarks belonging to ASSA ABLOY Entrance Systems AB or other companies controlled by the same organization.

©ASSA ABLOY Entrance Systems. All Rights Reserved. Part of ASSA ABLOY

1612 Hutton Drive, Suite 140 • Carrollton, TX 75006, USA • Tel: 866-696-2464 • Fax: 972-389-4224 • HVLSFans@epicfan.com • www.epicfan.com ESF-CIHVLS-1124