

# Wireless iFan Communication Setup

## Supplement Installation and Operations Part No. 6026990A

This manual applies to fans manufactured beginning March 2025 with the serial number F61786389 and higher.

### WARNING

*Do not install, operate or service this product unless you have read and understand the Safety Practices, Warnings, and Installation and Operating Instructions contained in the User's Manual (6024430). Failure to do so could result in death or serious injury.*

---

## TABLE OF CONTENTS

WIRELESS MODULE INSTALLATION .....	4
INSTALLATION AT THE VFD PANEL .....	4
INSTALLATION OF THE MASTER WIRELESS MODULE .....	4
STARTUP .....	5
TROUBLESHOOTING .....	6

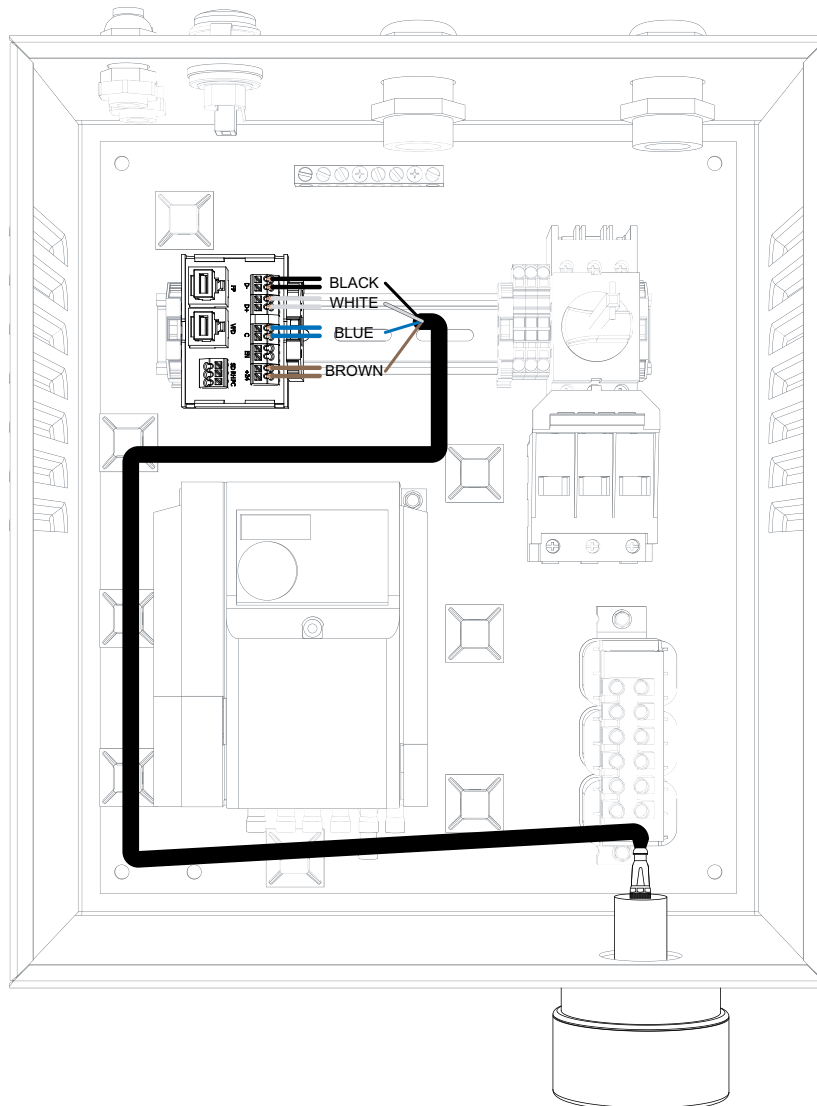
# WIRELESS MODULE INSTALLATION

## INSTALLATION AT THE VFD PANEL

The wireless module for each fan is shipped in its protective carton inside the VFD panel.

1. Remove the wireless module and place it through the hole in the bottom of the VFD panel with the large part of the wireless module to the outside of the panel.
2. Use the plastic nut provided to tighten the wireless module in place. Finger tight is sufficient.
3. Connect the M12 cable connection inside the panel to the connector of the wireless module.
4. Repeat for each Fan VFD panel. See **Figure 1**.

**Figure 1**



## INSTALLATION OF THE MASTER WIRELESS MODULE

### WITH THE FCP

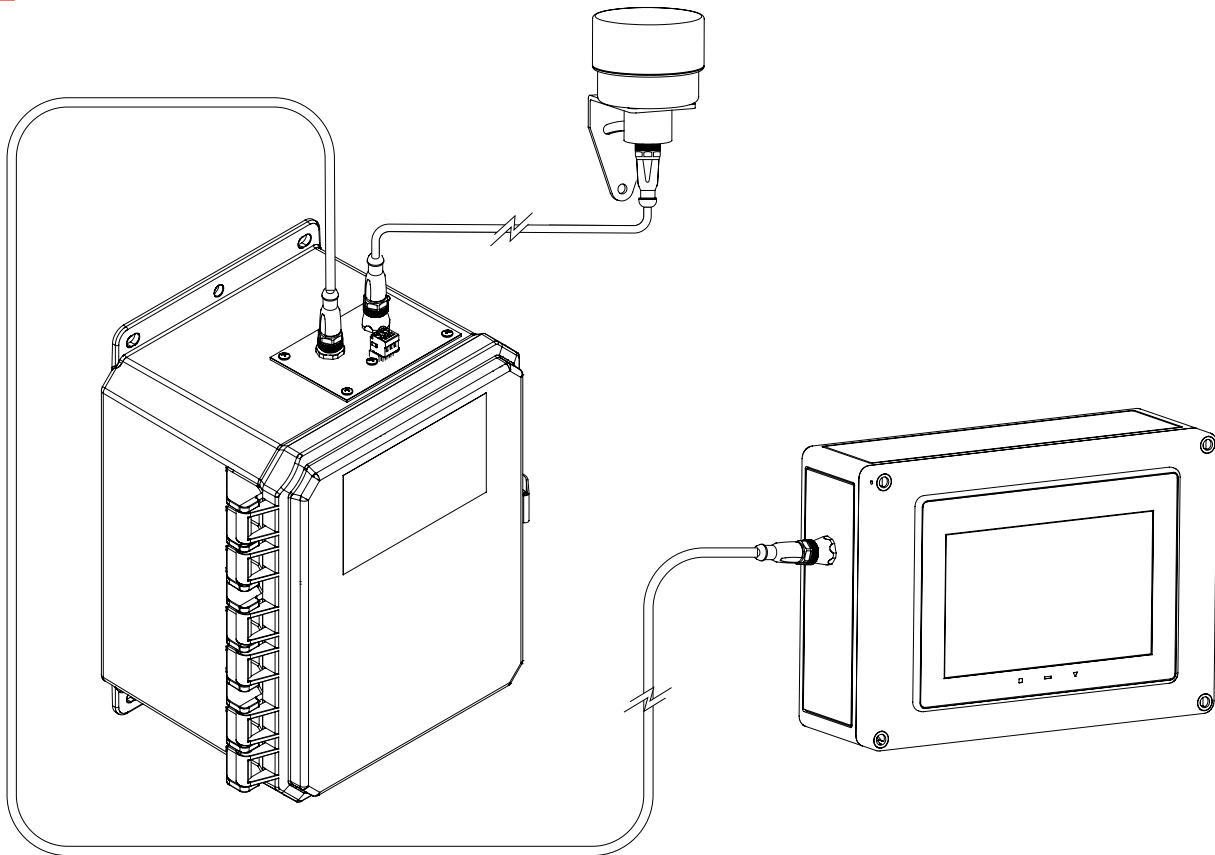
If the fire HVLS Shut off panel (FCP) was purchased (part number 6026999), then the wireless module must be connected to the fire control panel, and the iFan must be hardwired to the fire control panel.

1. Hardwire the iFan controller to the FCP using the provided M12 cable. See **Figure 2**.
2. Mount the master wireless module on the wall in the same area as the fans using the right angle bracket provided.
3. Connect the master wireless module to the FCP using the provided M12 cable. See **Figure 2**.

**NOTICE**

*The master wireless module cannot be located in a different building or enclosed room than the fans.*

**Figure 2**



## WITHOUT THE FCP

If the Fire Control Panel (6026999) was not purchased, the master wireless module will be connected to the iFan directly. See **Figure 3**.

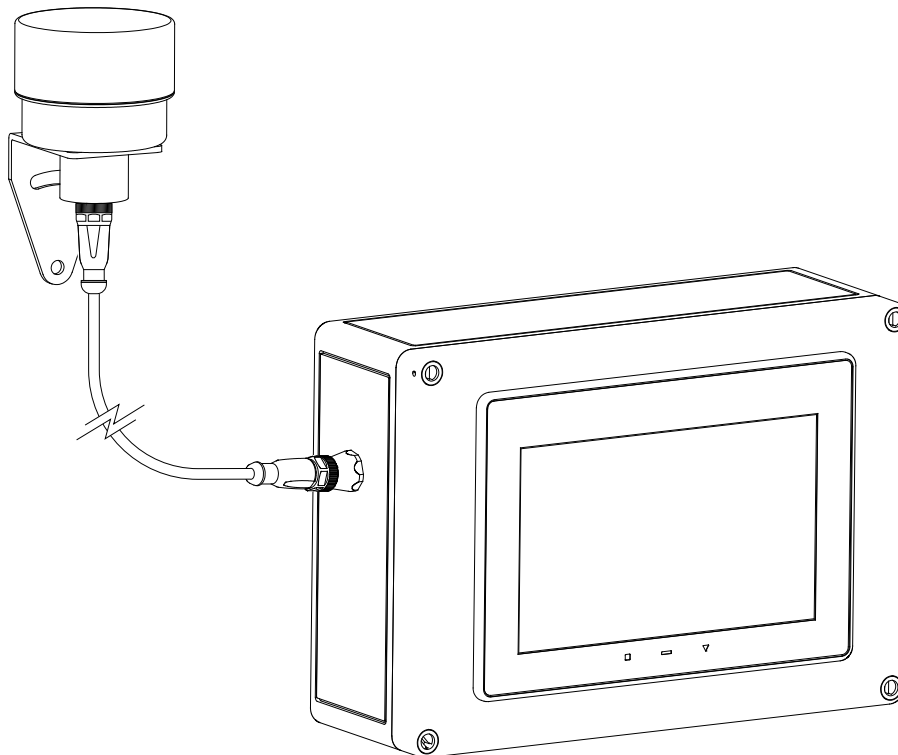
1. Mount the master wireless module on the wall in the same area as the fans using the right angle bracket provided.

### NOTICE

*The master wireless module cannot be located in a different building or enclosed room than the fans.*

2. Connect the master wireless module to the iFan panel using the M12 cable provided.

**Figure 3**



## **STARTUP**

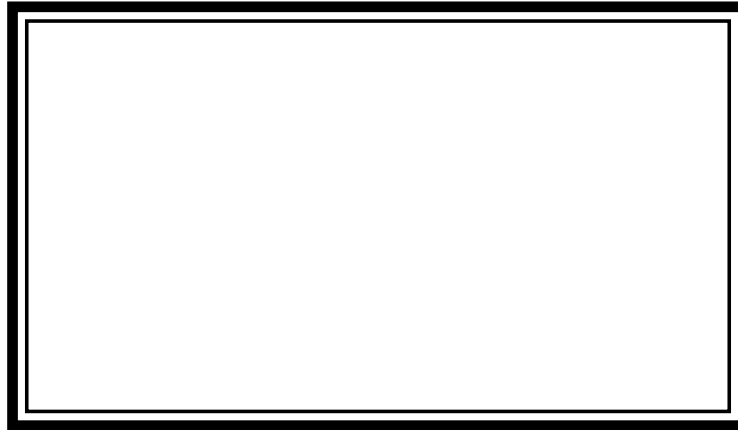
Once the wireless modules are installed on all VFD panels, and the master is installed, power up the panels, iFan, and FCP, if applicable. The fans should come up with communication automatically, but may take a few minutes for initial startup.

## TROUBLESHOOTING

PROBLEM	POSSIBLE CAUSE	SOLUTION
All fans are not communicating.	Master wireless not on.	The wireless module will have a blinking amber light if data is being transmitted. If no light is on, check the wiring of the module in the manel, and confirm power is applied.
	VFD panels and slave wireless modules are not powered.	Confirm power is applied to the VFD panels, and disconnects are in the on position. The wireless module should have a blinking amber light if it is communicating. If there are no lights and power is applied to the panel, confirm wiring.
	Wireless modules are not communicating.	If there are lights on the wireless modules, but other than a blinking amber, confirm the master is in line of sight and not positioned in a different location. If it is, contact the factory.
Some fans are not communicating.	VFD panels and slave wireless modules are not powered.	Confirm power is applied to the VFD panels, and the disconnects are in the on position. The wirelss module should have a blinking amber light if it is communicating. If there are no lights, and piower is applied to the panel, confirm wiring.
	Wireless modules not communicating.	If there are lights on the wireless modules, but other than a blinking amber, confirm the wireless module is in line of sight, and is not positioned in a different location. If it is, contact the factory.
Only one fan is communicating.	Only one fan is powered.	Confirm power is applied to all fans.

PROBLEM	POSSIBLE CAUSE	SOLUTION
	Master and slave are swapped.	Confirm that the device that was sent as Master, and is labelled as Master is connected to the iFan or FCP, and not one of the fans.

Please contact your local distributor for assistance.



## **Corporate Office**

1612 Hutton Drive, Suite 140

Carrollton, TX 75006

Tel: (972) 466-0707

Fax: (972) 323-2661



### **APS Resource**

262.518.1000

Scan this code or click [here](#) to locate an APS Resource distributor.

For replacement parts, please call the number above.