



Project Information

Job Name _____
Address _____
Contractor _____
Distributor _____
Model _____ Quantity _____ Voltage/Phase _____

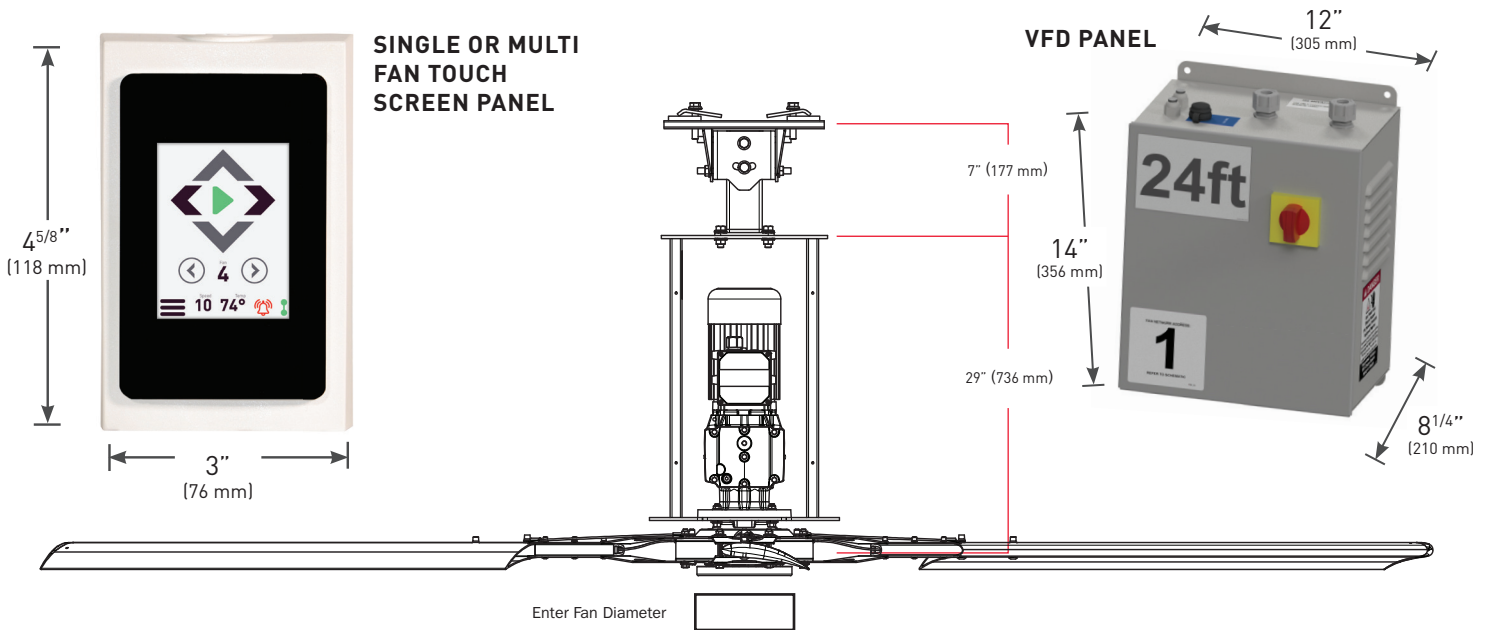
Construction or Engineering Approval

By _____
Company _____
Address _____

Date _____



Brevis 3-Blade HVLS FAN PRODUCT SPECIFICATIONS



ELECTRICAL SIZING CHART

FAN SIZE	8 FT - 24 FT			
VOLTAGE	120V/1PH/50 60 HZ	230V/1PH/50 60 HZ	208V/3PH/50 60 HZ	460V/3PH/50 60 HZ
FLA	3.68A	3.68A	3.68A	1.84A
FUSE	KTKR15	KTKR10	KTKR10	KTKR5
MOTOR	1.0HP, 2.94FLA @ 230V, 60 HZ	1.0HP, 2.94FLA @ 230V, 60 HZ	1.0HP, 2.94FLA @ 230V, 60 HZ	1.0HP, 1.47FLA @ 460V, 60 HZ
VFD	"100-120/1PH 1HP/0.75KW/4.2A"	"200-240/1PH 2HP/1.5KW/7.0A"	"200-240/3PH 2HP/1.5KW/7.0A"	"360-480/3PH 2HP/1.5KW/3.6A"
O/L	3.38A	3.38A	3.38A	1.69A

CONSTRUCTION

GENERAL COMPONENT	
Frame	Black Powder Coat / Welded Steel Fabrication
Hub Assembly	6061-T6 Aluminum
Blade Struts (Invertible)	Clear Zinc / High Tensile Steel
Blades	Anodized / 6063-T6 Aluminum
SAFETY COMPONENTS	
Steel Hub Plate	
Safety Cable	Galvanized 1/4" x 7 x 19 Steel Aircraft Grade Cable
Guy Wires	Galvanized 1/8" x 7 x 19 Steel Aircraft Grade Cable
Rotor Retaining Ring	Zinc Plated / 3/16 A569 Steel
MOUNTING HARDWARE	
Standard Mount	Universal I-Beam Clamp w/ Swivel Joint & 7" Drop
Laminated Wood Beam Clamp (Optional)	Brackets
Extra Wide / Thick I-Beam Mount (Optional)	Consult Factory
Additional Drop Extensions (Optional)	Up to 10 FT in 1 FT Increments

Brevis 3-Blade HVLS FAN

PRODUCT SPECIFICATIONS

Control Options

- Wired Touch Screen
- Multi Fan Remote (2-6) Fans
- iFan 4.3 (12 Fans Max/3 Groups Max) *120V Power Required
 - Humidity/Temperature Sensor
 - BACnet TCP/IP
 - Wireless RF Module
- iFan 7.0 (24 Fans Max/4 Groups Max) *120V Power Required
 - BACnet TCP/IP
 - Humidity/Temperature Sensor
 - BACnet MSTP
 - Web Server *Can decrease the amount of fans on the system*
 - Wireless RF Module
- iFan 10.0 (30 Fans Max/4 Groups Max) *120V Power Required
 - BACnet TCP/IP
 - Humidity/Temperature Sensor
 - BACnet MSTP
 - Web Server *Can decrease the amount of fans on the system*
 - Wireless RF Module
- BMS Interface Card
 - Modbus TCP/IP
 - BACnet TCP/IP
 - BACnet MSTP
 - Slave Remote

Mechanical Options

- Mounting extension _____ FT / M
- Extra wide beam plate _____ IN / MM
- Laminated wood beam brackets
- Truss span mounting kit (consult factory)
- Z-Purlin mounting kit (consult factory)

Model Number	Fan Size	Hanging Weight	Normal Industrial Spacing	RPM
EF08-103	8 FT 1.0 HP	155 lbs. (79 kg)	45 feet	198
EF10-103	10 FT 1.0 HP	160 lbs. (79 kg)	50 feet	154
EF12-103	12 FT 1.0 HP	165 lbs. (79 kg)	55 feet	125
EF14-103	14 FT 1.0 HP	170 lbs. (79 kg)	60 feet	106
EF16-103	16 FT 1.0 HP	175 lbs. (79 kg)	75 feet	92
EF18-103	18 FT 1.0 HP	180 lbs. (82 kg)	80 feet	81
EF20-103	20 FT 1.0 HP	185 lbs. (84 kg)	85 feet	72
EF24-103	24 FT 1.0 HP	195 lbs. (88 kg)	90 feet	60

Fire Panel

- Standard
- Networked

Voltage

- 110V Single Phase
- 208 - 240V Single Phase
- 208 - 240V 3 Phase
- 460 - 480V 3 Phase
- 575V 3 Phase

Standard Blade Colors



3-Blade HVLS Fan Warranty: Please See Full Warranty Outline Located in the HVLS Users Manual

Mechanical	Electrical	Labor	Standard Remote	iFan Controls	BMS Interface Card	Accessory Sensors
7 Years	5 Years	1 Year	1 Year	1 Year	1 Year	1 Year



Brevis 3-Blade HVLS FAN

AMCA CHART

Fan Diameter (ft)	Calculated % of Max CFM	Calculated % of Max RPM	Fan RPM	CFM *Tested to ANSI/AMCA Standard 230-15 HVLS*	Voltage / Phase / Frequency	Large Diameter Ceiling Fan - Ceiling Fan Energy Index (CFEI)	Standby Power [Watts]	Electrical Input Power [Watts] at Standard Air Density	Direction	Reversible?
8	26%	26%	52	5,594	120 V / Single Phase		7	34	Forward	Yes
	43%	44%	88	9,395	120 V / Single Phase	1.83	7	68	Forward	Yes
	63%	63%	125	13,634	120 V / Single Phase		7	132	Forward	Yes
	81%	82%	162	17,619	120 V / Single Phase		7	236	Forward	Yes
	100%	100%	198	21,738	120 V / Single Phase	1.11	7	394	Forward	Yes
10	29%	30%	46	10,717	120 V / Single Phase		7	38	Forward	Yes
	46%	47%	72	16,991	120 V / Single Phase	1.96	7	78	Forward	Yes
	65%	64%	99	23,659	120 V / Single Phase		7	153	Forward	Yes
	83%	79%	121	30,260	120 V / Single Phase		7	274	Forward	Yes
	100%	100%	154	36,591	120 V / Single Phase	1.28	7	449	Forward	Yes
12	22%	25%	31	12,011	120 V / Single Phase		7	37	Forward	Yes
	42%	44%	55	22,322	120 V / Single Phase	1.89	7	84	Forward	Yes
	61%	62%	78	32,543	120 V / Single Phase		7	174	Forward	Yes
	80%	82%	102	42,935	120 V / Single Phase		7	325	Forward	Yes
	100%	100%	125	53,388	120 V / Single Phase	1.2	7	551	Forward	Yes
14	21%	27%	29	15,410	120 V / Single Phase		7	39	Forward	Yes
	43%	45%	48	30,785	120 V / Single Phase	2.01	7	88	Forward	Yes
	62%	63%	67	45,047	120 V / Single Phase		7	180	Forward	Yes
	81%	81%	86	58,680	120 V / Single Phase		7	332	Forward	Yes
	100%	100%	106	72,384	120 V / Single Phase	1.4	7	560	Forward	Yes
16	22%	26%	24	20,202	120 V / Single Phase		7	39	Forward	Yes
	43%	45%	41	39,213	120 V / Single Phase	2.07	7	91	Forward	Yes
	63%	63%	58	57,616	120 V / Single Phase		7	194	Forward	Yes
	82%	82%	75	75,094	120 V / Single Phase		7	367	Forward	Yes
	100%	100%	92	92,065	120 V / Single Phase	1.37	7	629	Forward	Yes
18	21%	25%	22	24,228	120 V / Single Phase		7	43	Forward	Yes
	43%	41%	36	48,911	120 V / Single Phase	1.9	7	104	Forward	Yes
	62%	58%	51	70,961	120 V / Single Phase		7	225	Forward	Yes
	81%	75%	66	92,825	120 V / Single Phase		7	424	Forward	Yes
	100%	100%	81	113,995	120 V / Single Phase	1.28	7	731	Forward	Yes
20	25%	25%	18	37,911	120 V / Single Phase		7	37	Forward	Yes
	43%	43%	31	59,651	120 V / Single Phase	2.19	7	95	Forward	Yes
	63%	63%	45	92,135	120 V / Single Phase		7	215	Forward	Yes
	81%	81%	58	118,820	120 V / Single Phase		7	425	Forward	Yes
	100%	100%	72	146,624	120 V / Single Phase	1.35	7	740	Forward	Yes
24	24%	27%	16	47,889	120 V / Single Phase		7	43	Forward	Yes
	40%	45%	27	78,569	120 V / Single Phase	2.06	7	111	Forward	Yes
	62%	63%	38	121,623	120 V / Single Phase		7	253	Forward	Yes
	81%	80%	48	160,400	120 V / Single Phase		7	501	Forward	Yes
	100%	100%	60	197,251	120 V / Single Phase	1.3	7	894	Forward	Yes



4Front Engineered Solutions certifies that the 3-Blade model 8'-24' shown herein is licensed to bear the AMCA seal. The ratings shown are based on the tests and procedures performed in accordance with AMCA publication 211 and comply with the requirements of the AMCA Certified Ratings Program.

AMCA Certified ratings seal applies at free delivery only. Performance ratings do not include the effects of appurtenances (accessories).

